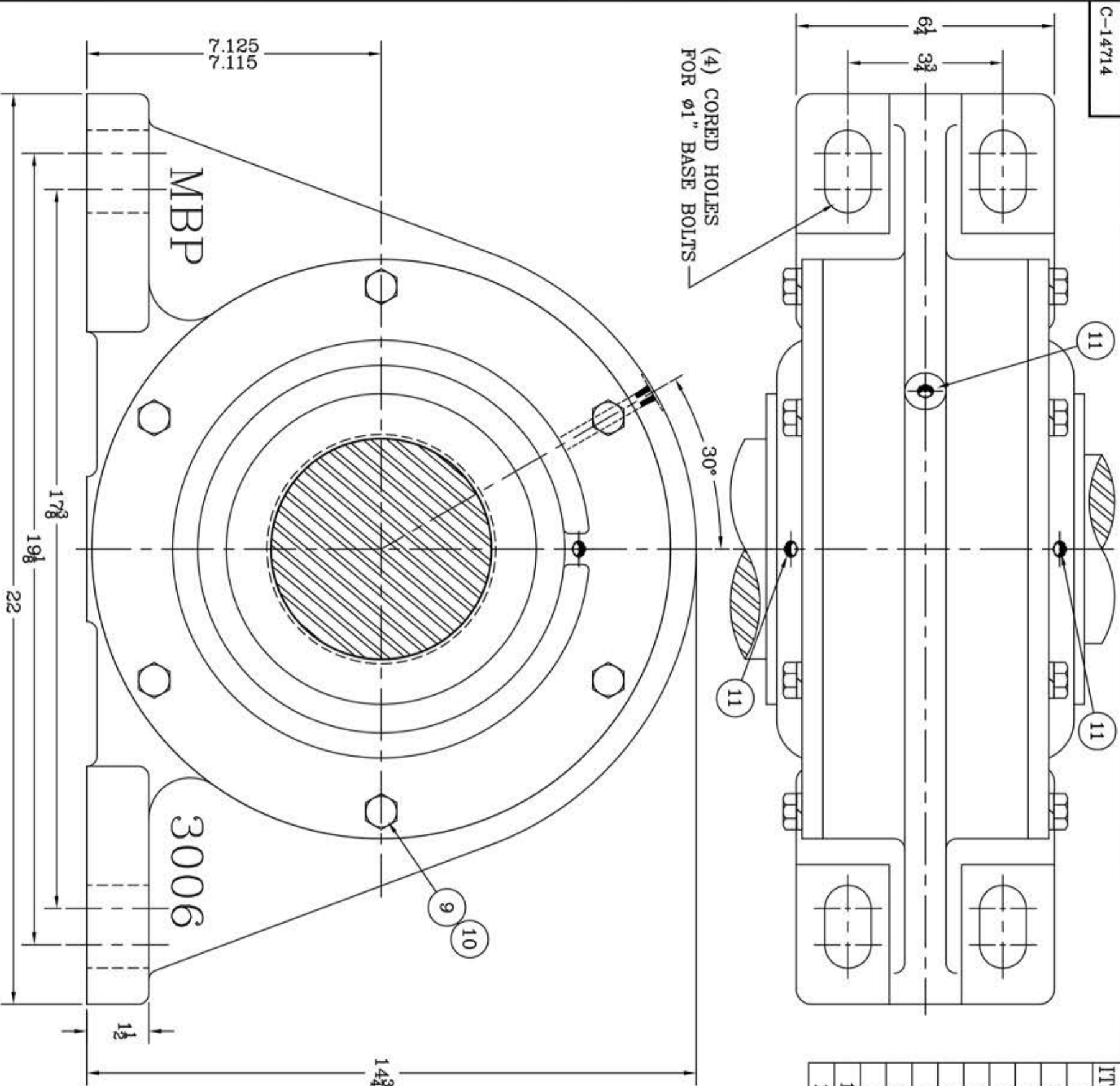
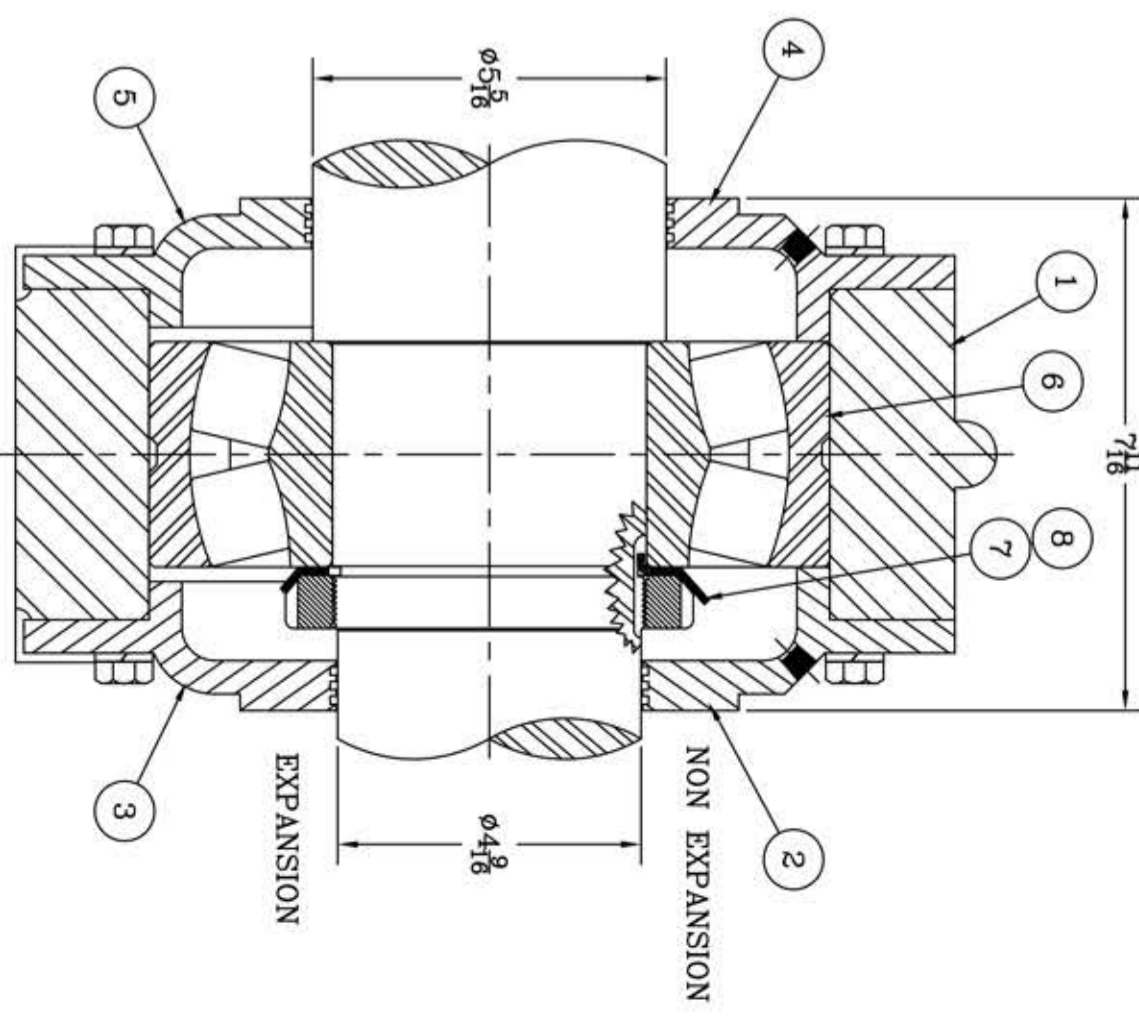


This drawing is the sole property of Miether Bearing Products and contains confidential and proprietary information. It is being provided to you for your use and may not be disclosed to any third party or used for any other purpose without Miether's prior written consent. The [materials] must be returned to the Company upon its demand. Your acceptance of these materials constitutes your acceptance of the foregoing terms.

C-14714



ITEM	DESCRIPTION	DETAIL	REQUIRED
			NES ES
1	HOUSING M3015	C-03015	1 1
2	ENDCAP F3458 NEL	C-22828	1 0
3	ENDCAP F3459 EL	C-22828	0 1
4	ENDCAP F3460 NEL	C-22836	1 0
5	ENDCAP F3461 EL	C-22836	0 1
6	SPHERICAL ROLLER BEARING 22324/W-33		1 1
7	LOCKNUT AN-24	B-10416	1 1
8	LOCKWASHER W-24	00246	1 1
9	CAP BOLT HEX HEAD 1/2-13 NC x 1 1/2 LONG		12 12
10	LOCKWASHER 1/2 SPLIT MED.		12 12
11	PIPE PLUG 1/2-27 NPT		3 3



REDRAWN ON COMPUTER  
RWB per KAB  
8-21-03

REVISIONS

SYMBOL	DESCRIPTION	DATE
V	16	32
D	32	63
E	63	125
F	125	250
G	250	500
J	500	1000
K	1000	

TOLERANCE: UNLESS OTHERWISE SPECIFIED

FRACTIONS +- 1/32" ANGLES +- 0° 30'

DECIMALS +- .005" WELD +- 1/16"

CASTING +- 1/16"

A.I.S.I. STANDARD FINISHES

3006

1 1/2

14 3/4

1 1/2

1 1/2

1 1/2

1 1/2

1 1/2

1 1/2

1 1/2

1 1/2

1 1/2

1 1/2



MMW 22324 05-05 x 04-09	ASSEMBLY DRAWING
SCALE HALF	ASSEMBLY NO.
DRAWN CJ	DRAWING NO.
DATE 9/14/71	CHK: C-14714