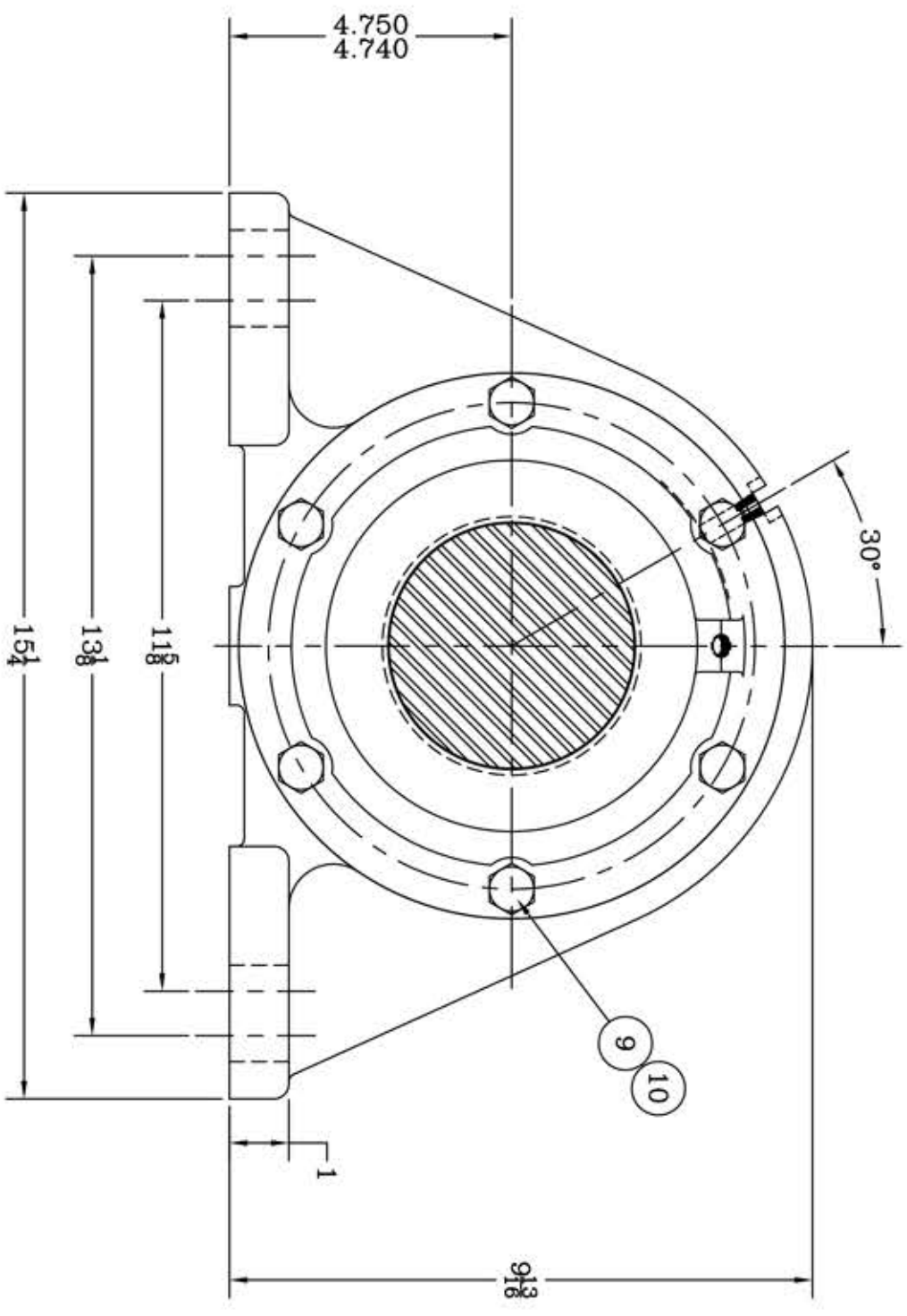
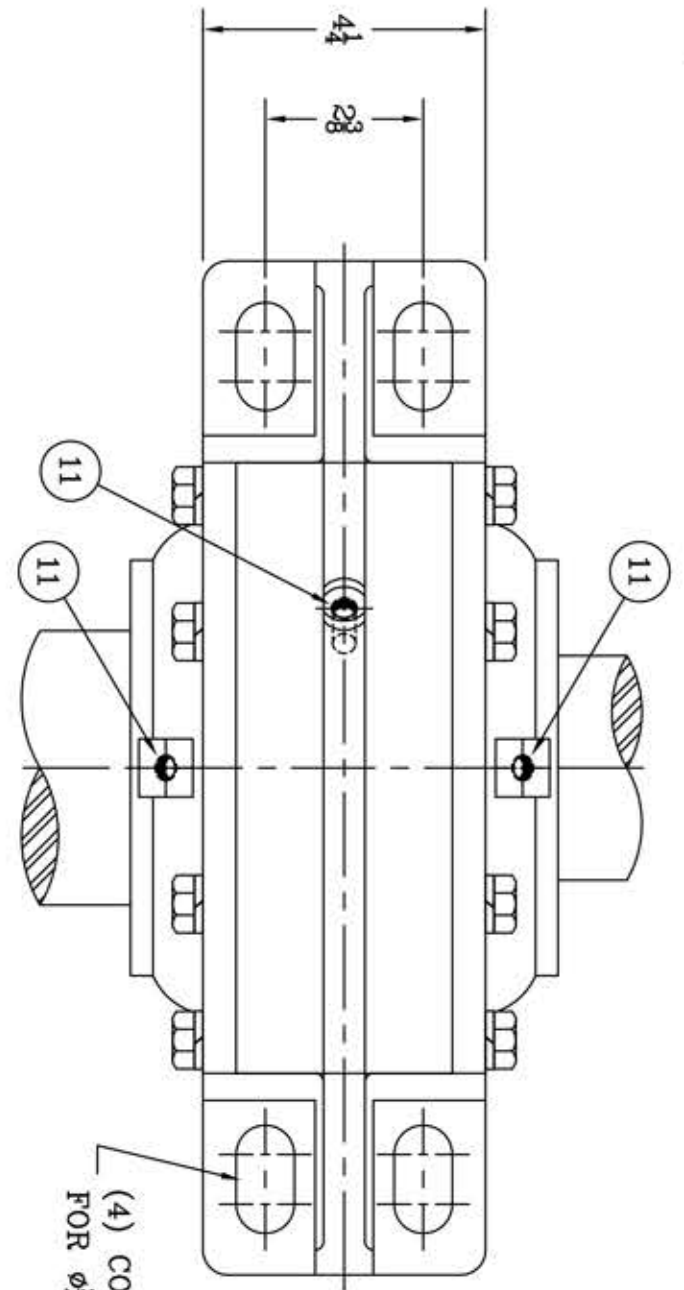
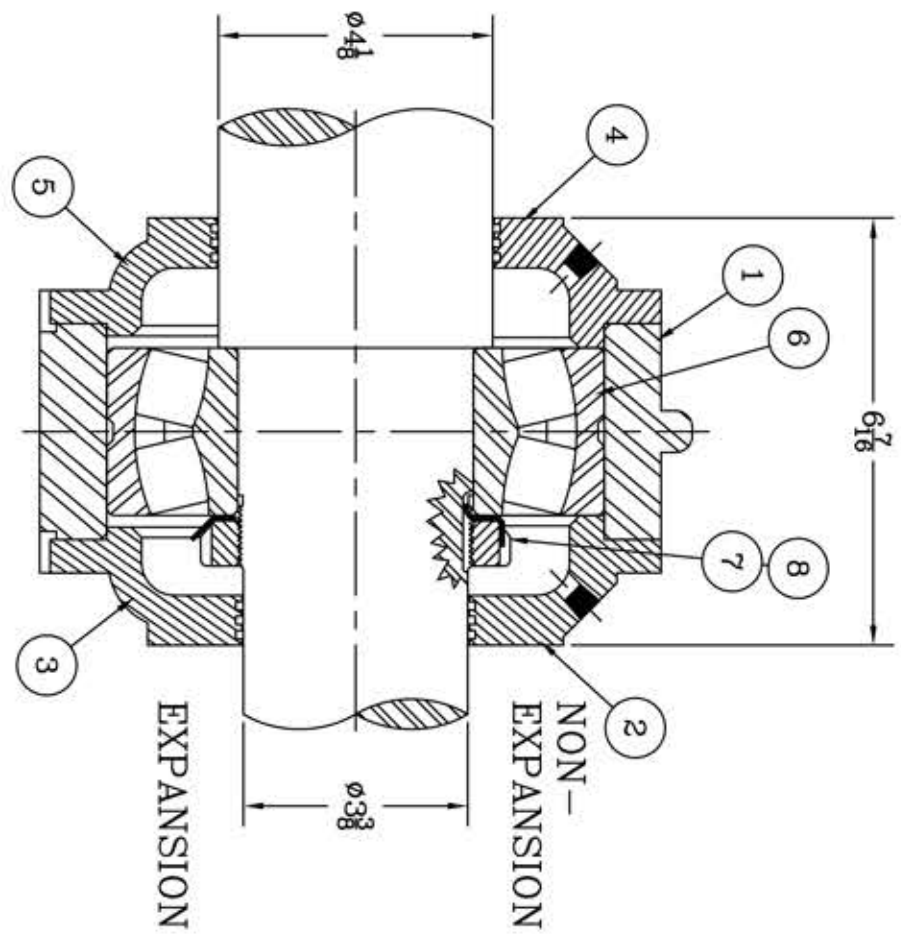


This drawing is the sole property of Miether Bearing Products and contains confidential and proprietary information. It is being provided to you for your use and may not be disclosed to any third party or used for any other purpose without Miether's prior written consent. The [materials] must be returned to the Company upon its demand. Your acceptance of these materials constitutes your acceptance of the foregoing terms.

C-14700



ITEM	DESCRIPTION	DETAIL	REQUIRED N	REQUIRED EXP.
1	HOUSING M3013	C-03013	1	1
2	ENDCAP F3408 NEL	C-22764	1	0
3	ENDCAP F3409 EL	C-22764	0	1
4	ENDCAP F3410 NEL	C-22768	1	0
5	ENDCAP F3411 EL	C-22768	0	1
6	SPHERICAL ROLLER BEARING	22318/W-33	1	1
7	LOCKNUT AN-18	B-10783	1	1
8	LOCKWASHER W-18	00243	1	1
9	CAP BOLT HEX. HEAD	1/2-13 NC x 1 1/2 LONG	12	12
10	LOCKWASHER	1/2 SPLIT MED.	12	12
11	PIPE PLUG	1/2-27 NPT	3	3



REDRAWN ON
COMPUTER
RWB per KAB
8-7-03

REVISIONS

SYMBOL	DESCRIPTION
✓	16
∇	32
∇	63
∇	125
∇	250
∇	500
∇	1000

AN ALCO INDUSTRIES COMPANY
BEARING PRODUCTS
ODDESSA, TX. USA

MMW 22318	04-02 x 03-06
ASSEMBLY DRAWING	
SCALE HALF	ASSEMBLY NO.
DRAWN CJ	
DATE 9-13-71	DRAWING NO.
CHK:	C-14700

TOLERANCE: UNLESS OTHERWISE SPECIFIED
FRACTIONS +- 1/32" ANGLES +- 0° 30'
DECIMALS +- .005" WELD +- 1/16"
CASTING +- 1/16"