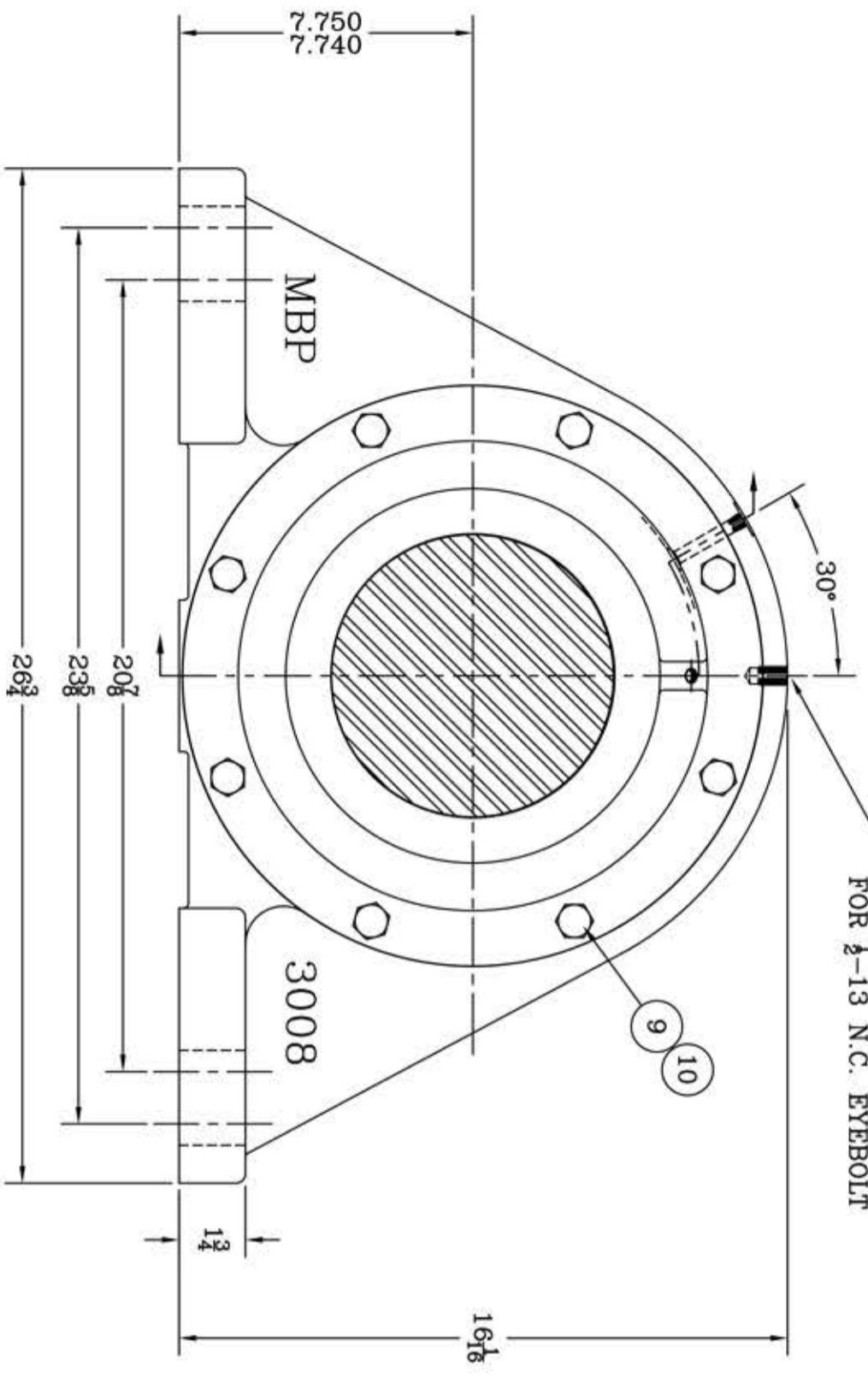
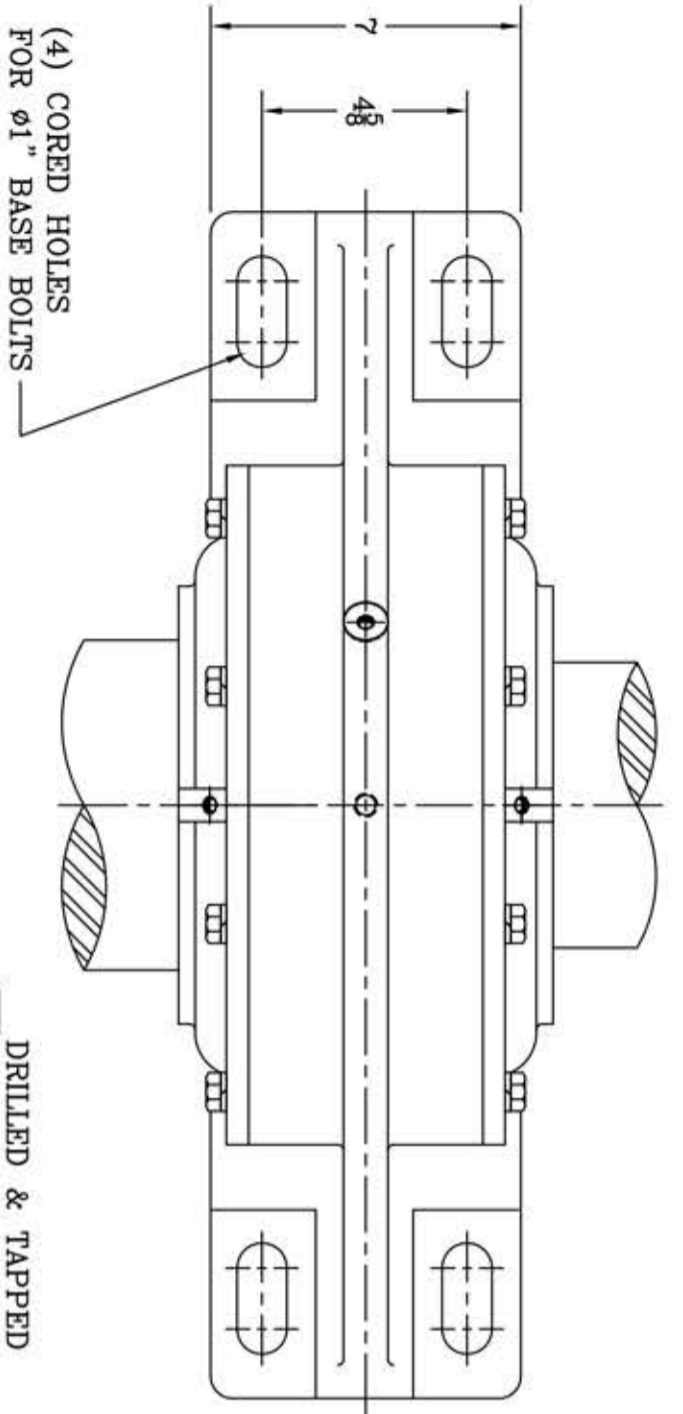
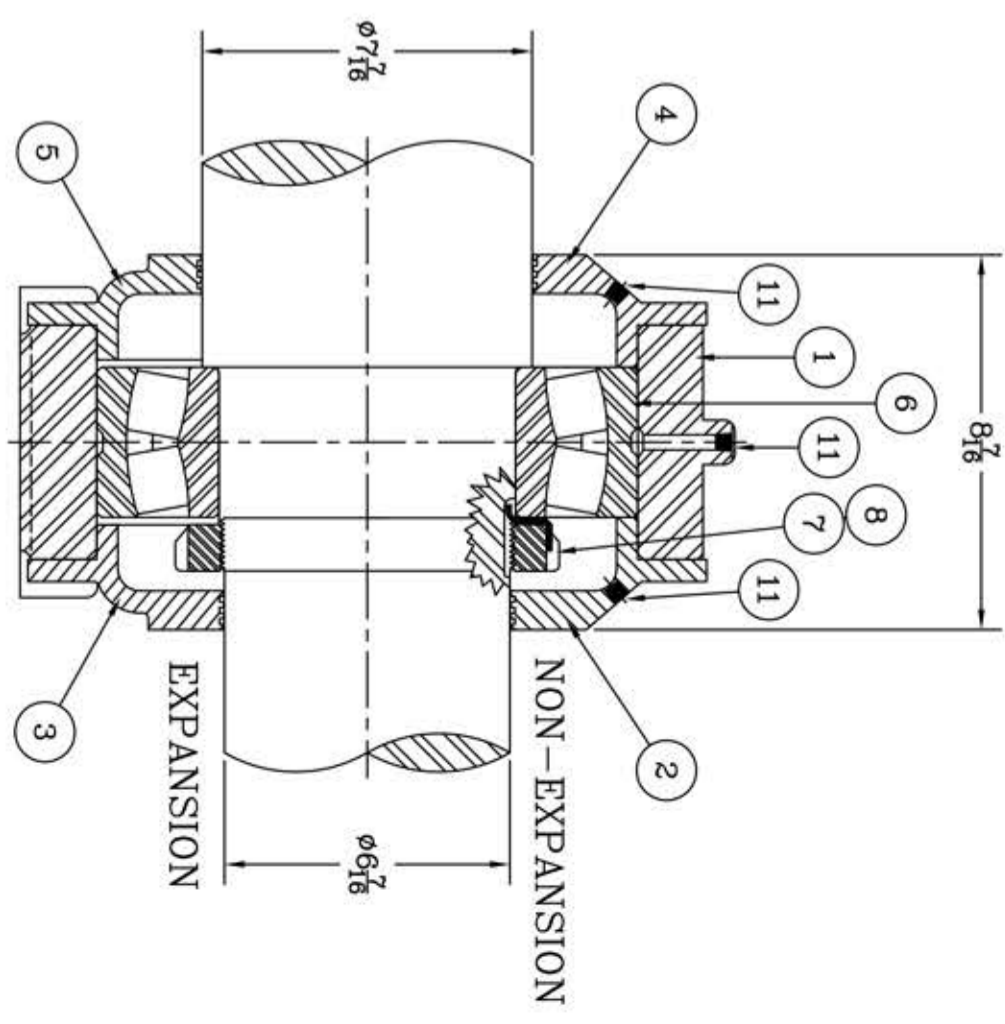


This drawing is the sole property of Miether Bearing Products and contains confidential and proprietary information. It is being provided to you for your use and may not be disclosed to any third party or used for any other purpose without Miether's prior written consent. The [materials] must be returned to the Company upon its demand. Your acceptance of these materials constitutes your acceptance of the foregoing terms.

C-14669



ITEM	DESCRIPTION	DETAIL	REQUIRED
			N EXP EXP.
1	HOUSING M3008	C-22156	1 1
2	ENDCAP F3136 NEL	C-22422	1 0
3	ENDCAP F3137 EL	C-22422	0 1
4	ENDCAP F3138 NEL	C-22434	1 0
5	ENDCAP F3139 EL	C-22434	0 1
6	SPHERICAL ROLLER BEARING 22234/W-33		1 1
7	LOCKNUT AN-34	B-10421	1 1
8	LOCKWASHER W-34	00251	1 1
9	CAP BOLT HEX. HEAD 1/2-13 NC x 1 1/2 LONG		16 16
10	LOCKWASHER 1/2 SPLIT MED.		16 16
11	PIPE PLUG 1/2-27 NPT		3 3



REDRAWN FOR CONFORMITY
RWB per KAB
7-1-03

REVISIONS

SYMBOL	DESCRIPTION
✓	16
∇	32
∇	63
∇	125
∇	250
∇	500
∇	1000

TOLERANCE: UNLESS OTHERWISE SPECIFIED

FRACTIONS $\pm 1/32"$ ANGLES $\pm 0^\circ 30'$
 DECIMALS $\pm .005"$ WELD $\pm 1/16"$
 CASTING $\pm 1/16"$

AN ALCO INDUSTRIES COMPANY
 BEARING PRODUCTS
 ODESSA, TX. USA

MMW 22234 07-07 x 06-07	ASSEMBLY NO.
ASSEMBLY DRAWING	
SCALE 1 = 3	
DRAWN OMI	
DATE 12-13-71	DRAWING NO.
CHK:	C-14669