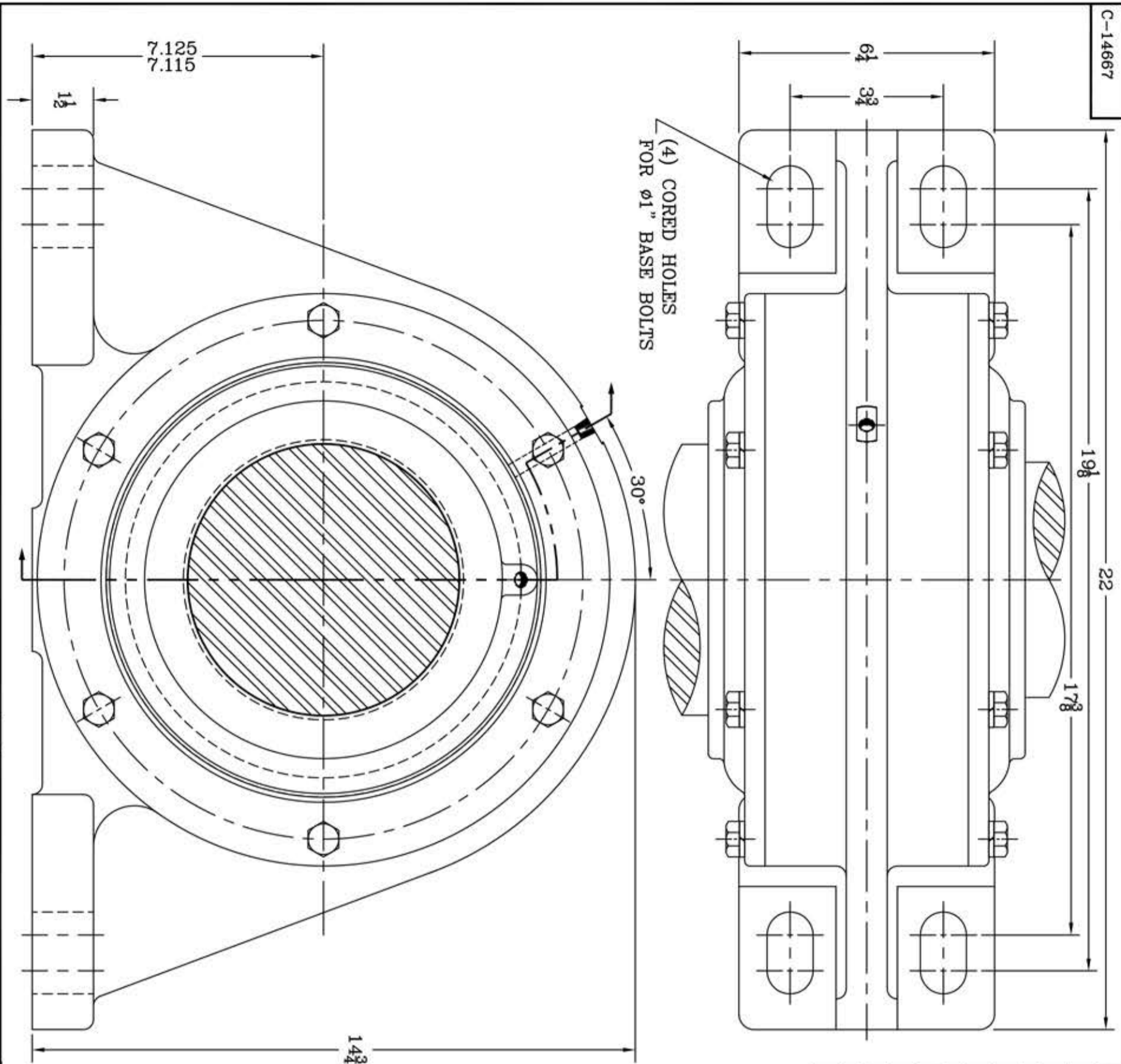
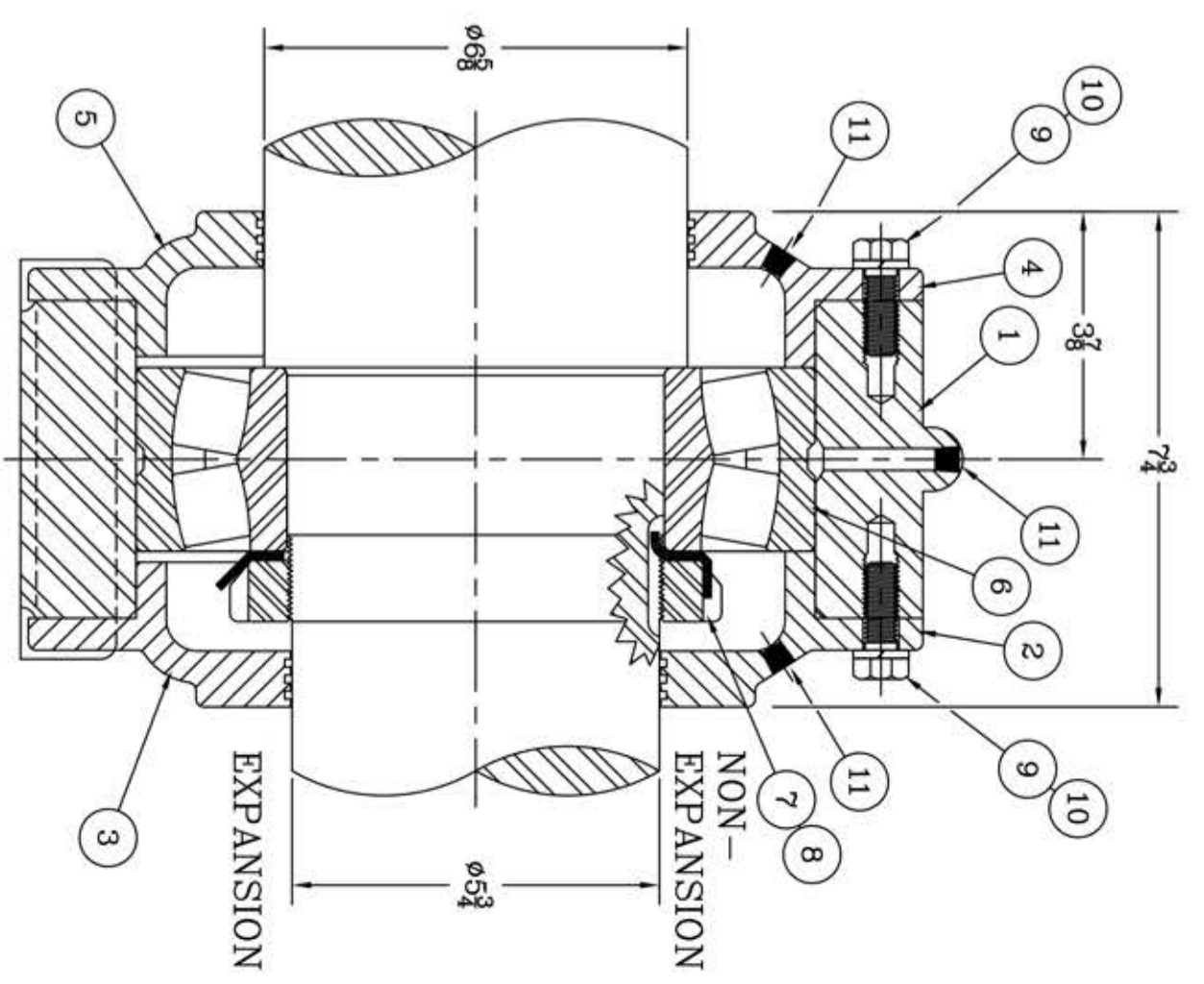


This drawing is the sole property of Miether Bearing Products and contains confidential and proprietary information. It is being provided to you for your use and may not be disclosed to any third party or used for any other purpose without Miether's prior written consent. The [materials] must be returned to the Company upon its demand. Your acceptance of these materials constitutes your acceptance of the foregoing terms.



ITEM	DESCRIPTION	DETAIL	REQUIRED
			N EXP EXP.
1	HOUSING M3006	C-22148	1 1
2	ENDCAP F3108 NEL	C-22374	1 0
3	ENDCAP F3109 EL	C-22374	0 1
4	ENDCAP F3110 NEL	C-22376	1 0
5	ENDCAP F3111 EL	C-22376	0 1
6	SPHERICAL ROLLER BEARING 22230/W-33		1 1
7	LOCKNUT AN-30	B-10419	1 1
8	LOCKWASHER W-30	00249	1 1
9	CAP BOLT HEX. HEAD 1/2-13 NC x 1 1/2 LONG		12 12
10	LOCKWASHER 1/2 SPLIT MED.		12 12
11	PIPE PLUG 1/2-27 NPT		3 3



REDRAWN FOR CONFORMITY
RWB per KAB
6-26-03

REDRAWN ON COMPUTER
RWB per JLL
5-12-99

REVISIONS

SYMBOL	DESCRIPTION
✓	16
∇	32
∇	63
∇	125
∇	250
∇	500
∇	1000

TOLERANCE: UNLESS OTHERWISE SPECIFIED

FRACTIONS	DECIMALS	CASTING	WELD	ANGLES
± 1/32"	± .005"	± 1/16"	± 1/16"	± 0° 30'

AN ALCO INDUSTRIES COMPANY
BEARING PRODUCTS
ODESSA, TX. USA

MMW 22230 06-10 x 05-12
ASSEMBLY DRAWING

SCALE HALF
DRAWN CJ
DATE 12-15-71
CHK:

ASSEMBLY NO.
DRAWING NO. C-14667