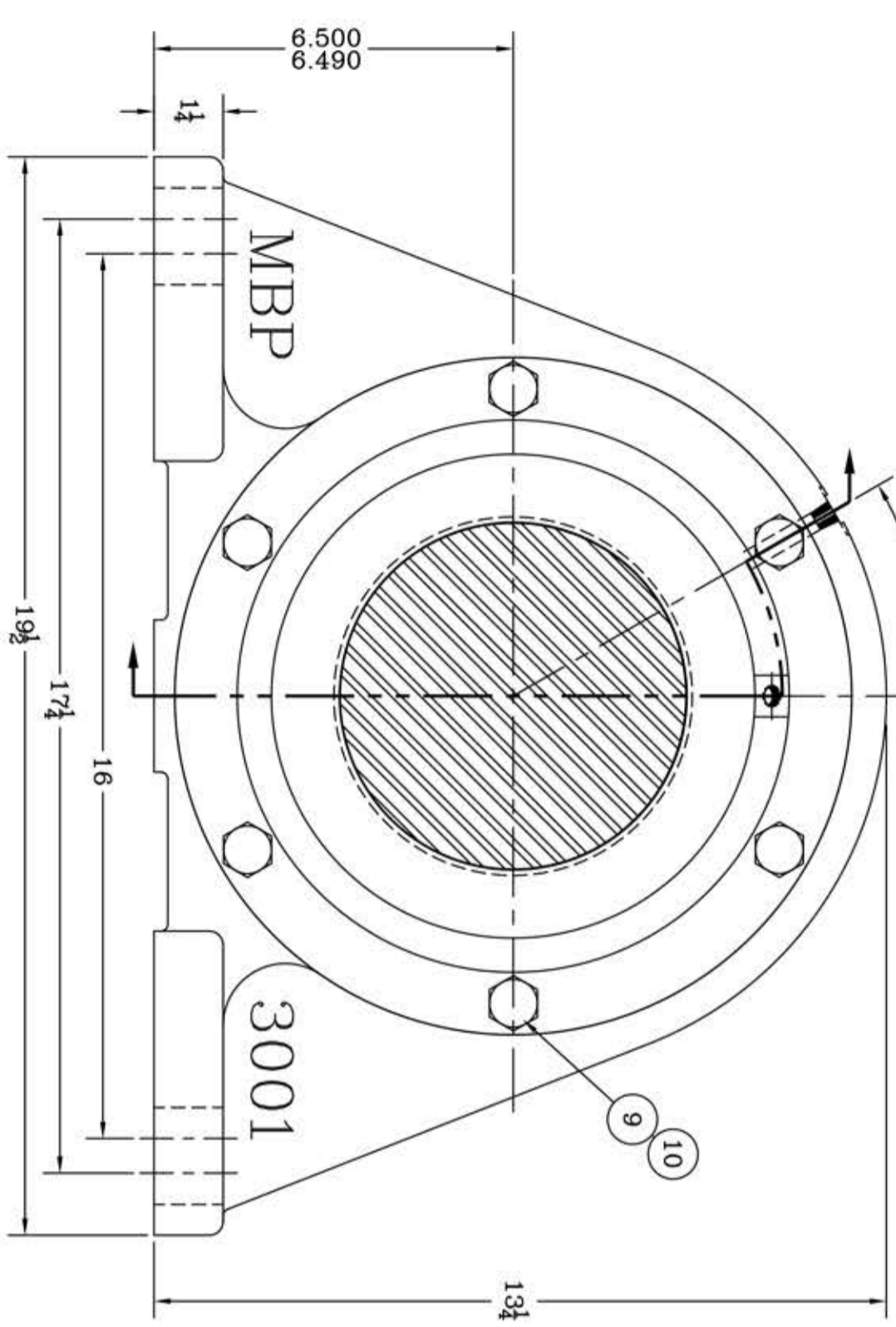
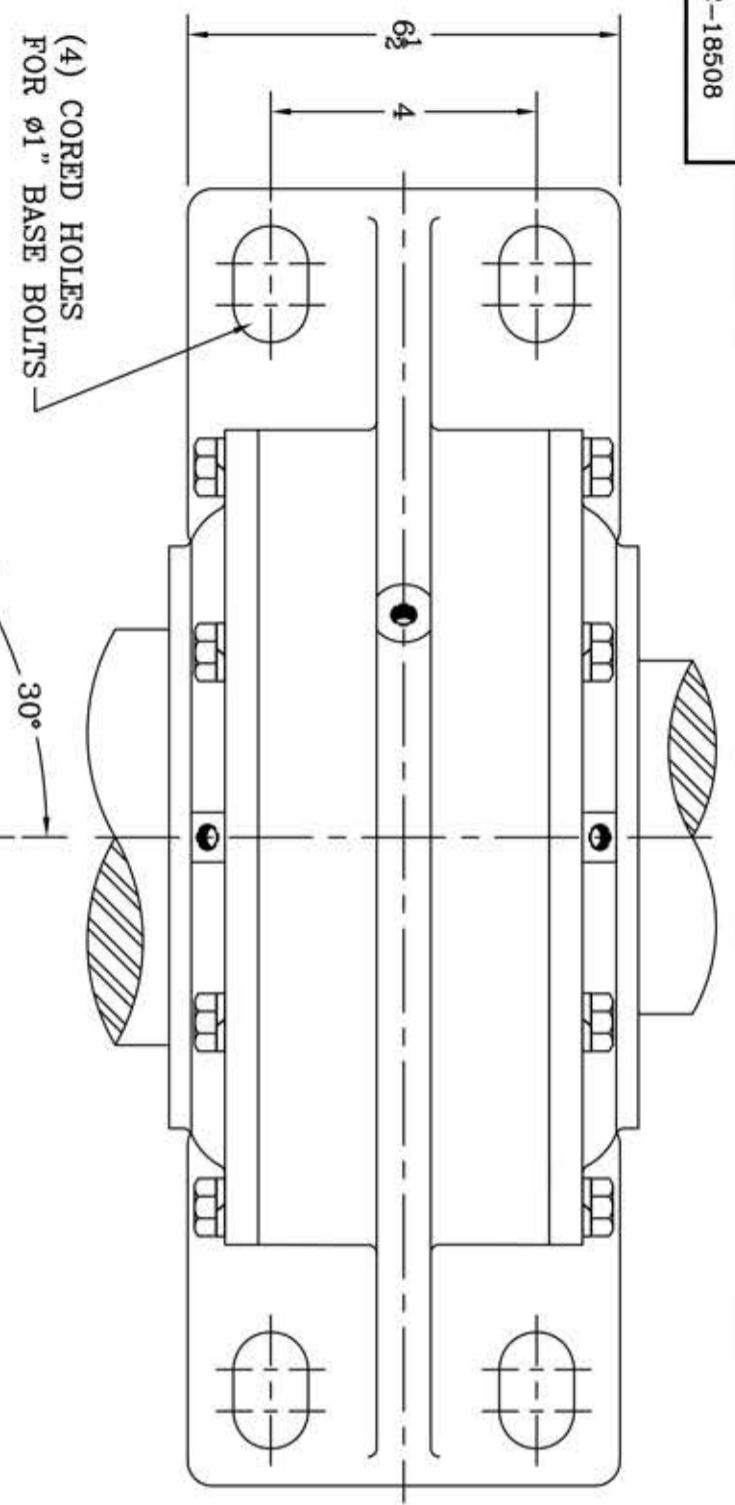
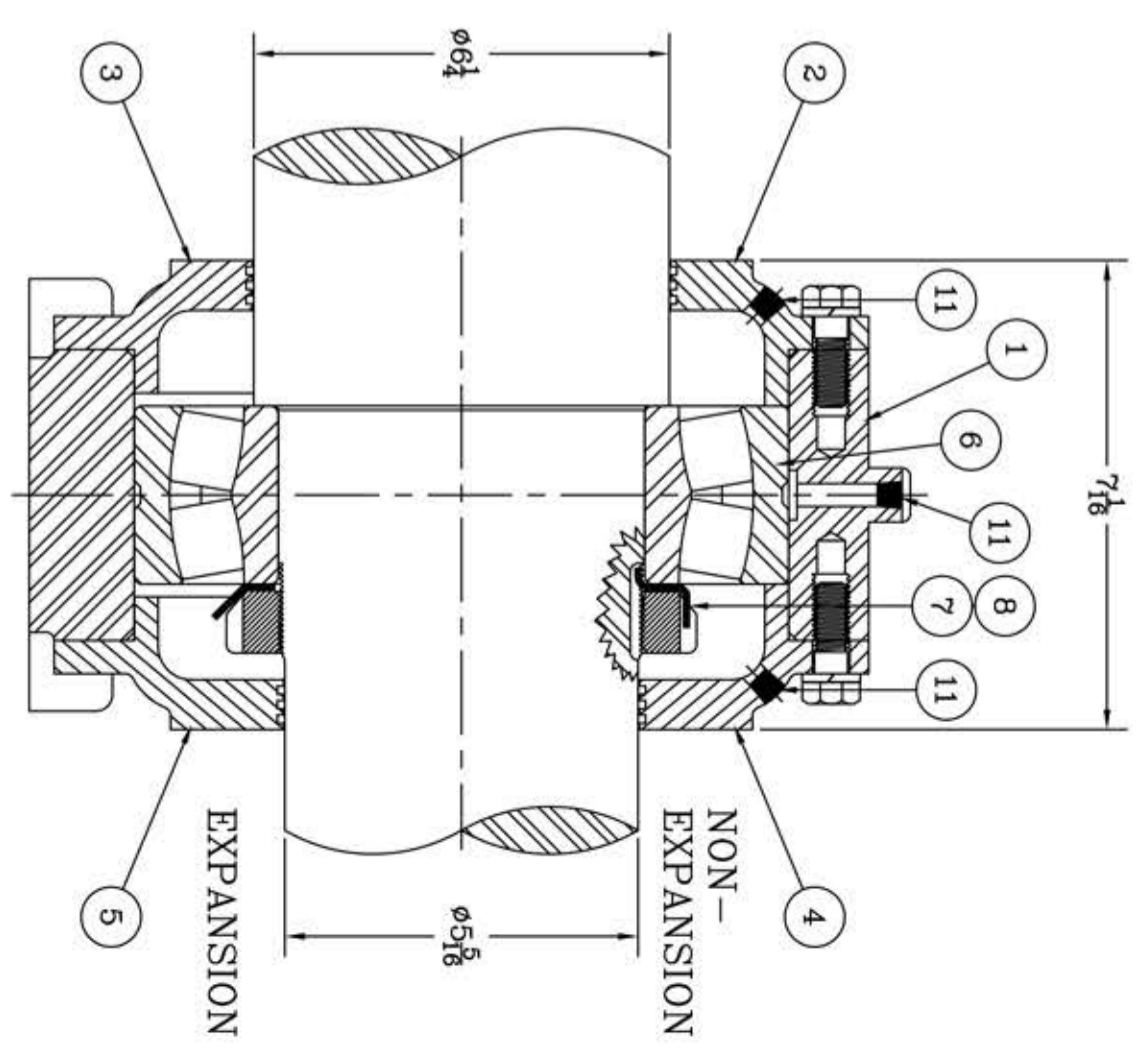


This drawing is the sole property of Miether Bearing Products and contains confidential and proprietary information. It is being provided to you for your use and may not be disclosed to any third party or used for any other purpose without Miether's prior written consent. The [materials] must be returned to the Company upon its demand. Your acceptance of these materials constitutes your acceptance of the foregoing terms.

C-18508



ITEM	DESCRIPTION	DETAIL	REQUIRED N	EXP EXP.
1	HOUSING M3001	C-22123	1	1
2	ENDCAP F3174 NEL	C-22494	1	0
3	ENDCAP F3175 EL	C-22494	0	1
4	ENDCAP F3024 NEL	C-22194	1	0
5	ENDCAP F3025 EL	C-22194	0	1
6	SPHERICAL ROLLER BEARING	22228/W-33	1	1
7	LOCKNUT AN-28	B-10418	1	1
8	LOCKWASHER W-28	00248	1	1
9	CAP BOLT HEX HEAD	1/2-13 NC x 1 1/2 LONG	12	12
10	LOCKWASHER	1/2 SPLIT MED.	12	12
11	PIPE PLUG	1/2-27 NPT	3	3



REDRAWN ON
COMPUTER
RWB per KAB
6-18-03

REVISIONS

SYMBOL	DESCRIPTION
✓	16
∇	32
∇	63
∇	125
∇	250
∇	500
∇	1000

TOLERANCE: UNLESS OTHERWISE SPECIFIED
FRACTIONS $\pm 1/32"$ ANGLES $\pm 0^\circ 30'$
DECIMALS $\pm .005"$ WELD $\pm 1/16"$
CASTING $\pm 1/16"$

A.I.S.I. STANDARD FINISHES

AN ALCO INDUSTRIES COMPANY
BEARING PRODUCTS
ODESSA, TX. USA

MMW 22228	06-04 x 05-05
ASSEMBLY DRAWING	
SCALE HALF	ASSEMBLY NO.
DRAWN BAS	
DATE 11-16-81	DRAWING NO.
CHK:	C-18508