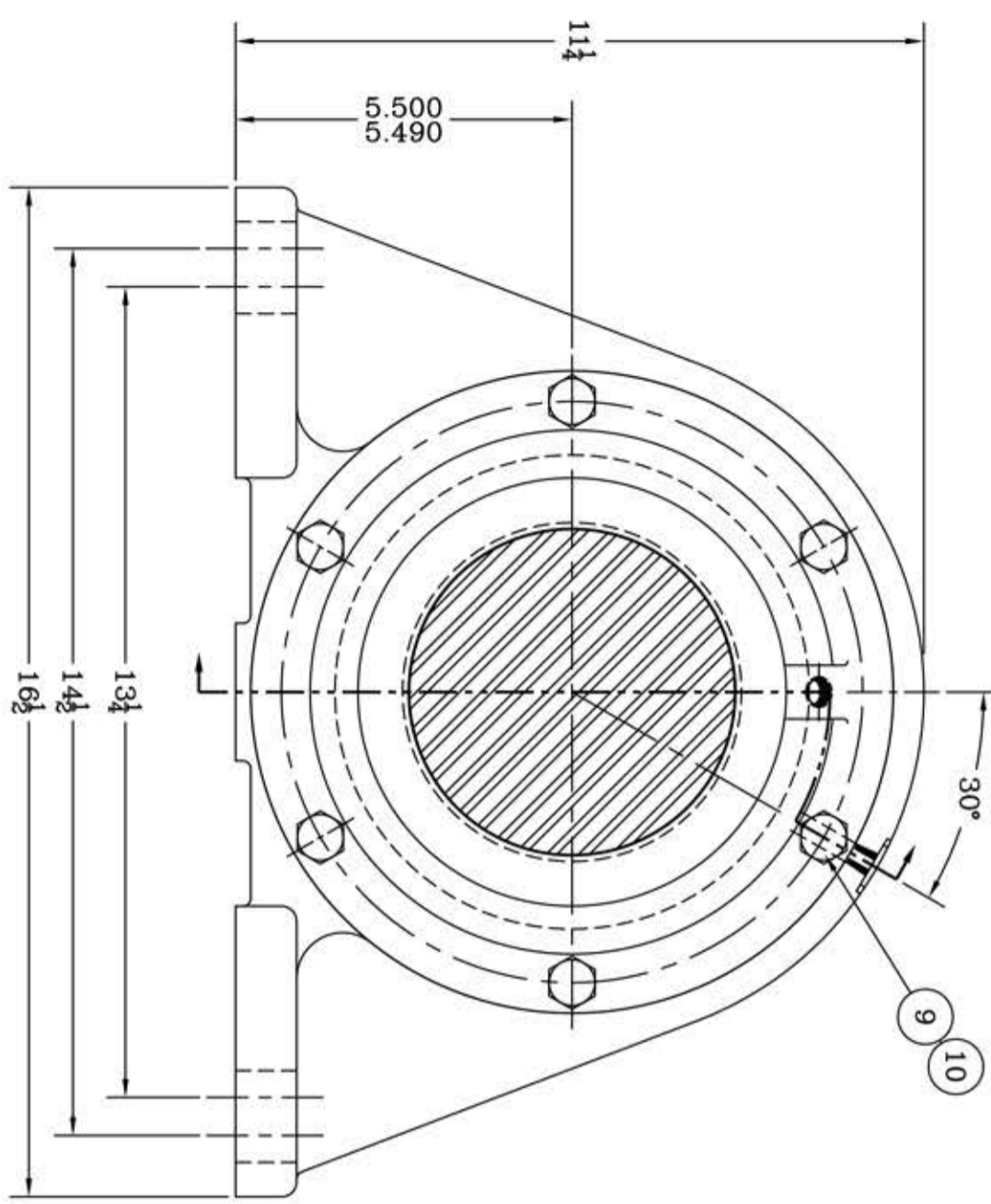
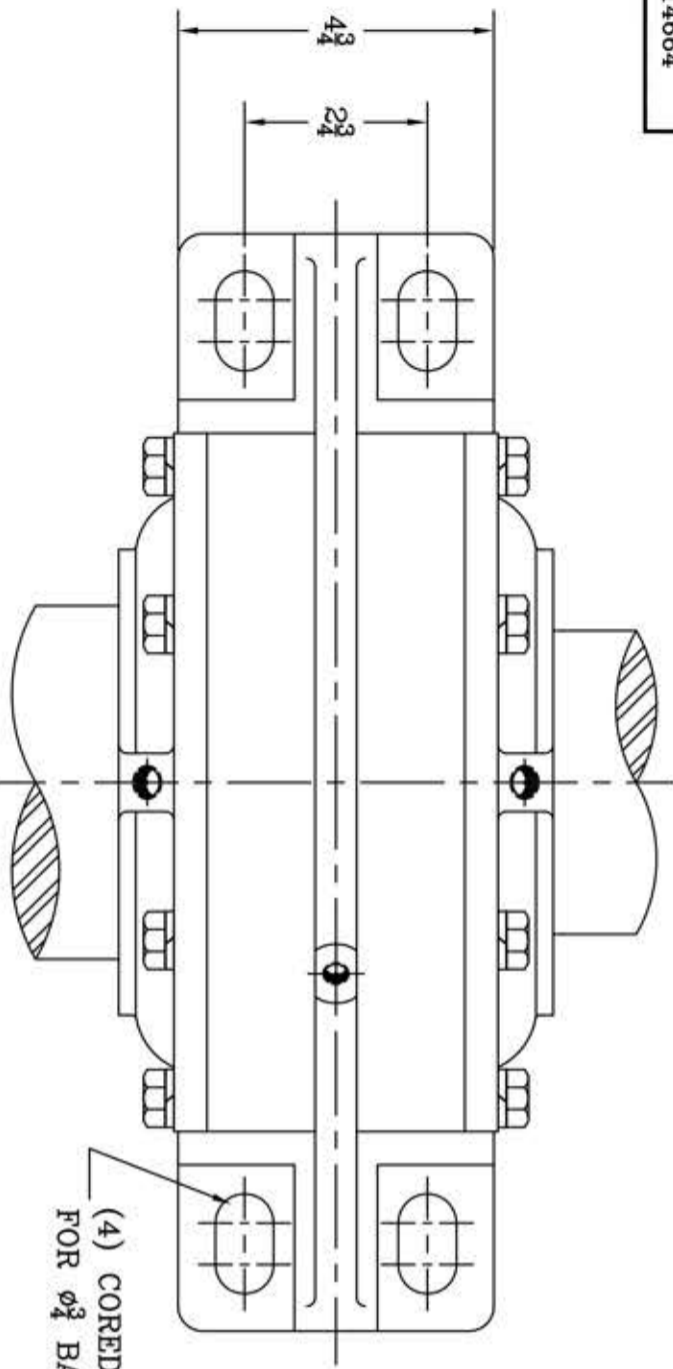
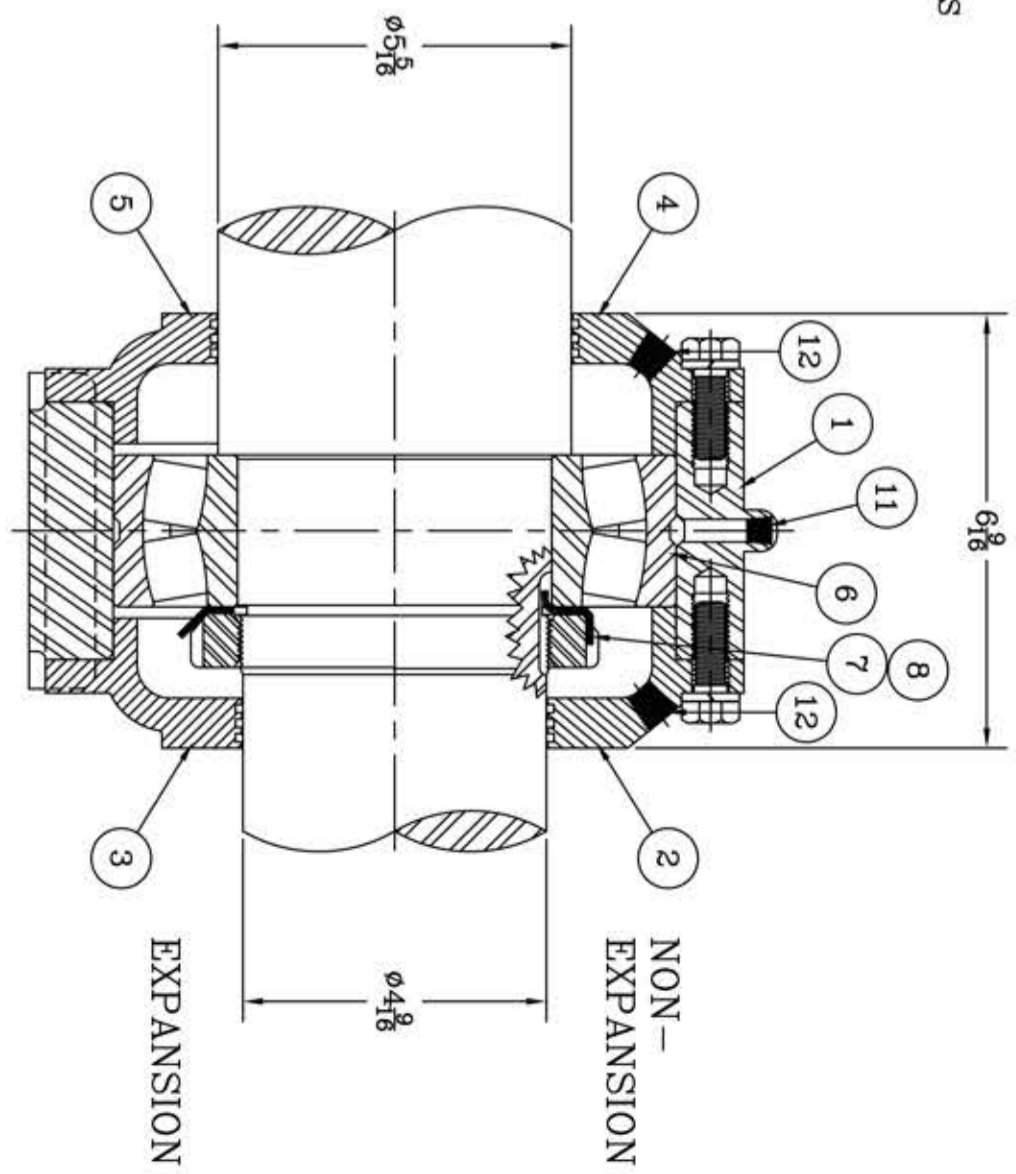


This drawing is the sole property of Miether Bearing Products and contains confidential and proprietary information. It is being provided to you for your use and may not be disclosed to any third party or used for any other purpose without Miether's prior written consent. The [materials] must be returned to the Company upon its demand. Your acceptance of these materials constitutes your acceptance of the foregoing terms.

C-14664



| ITEM | DESCRIPTION | DETAIL | REQUIRED |
|------|--------------------------|--|----------|
| | | | NES |
| | | | ES |
| 1 | HOUSING M3003 | C-03003 | 1 1 |
| 2 | ENDCAP F3094 NEL | C-22348 | 1 0 |
| 3 | ENDCAP F3095 EL | C-22348 | 0 1 |
| 4 | ENDCAP F3096 NEL | C-22352 | 1 0 |
| 5 | ENDCAP F3097 EL | C-22352 | 0 1 |
| 6 | SPHERICAL ROLLER BEARING | 22224/W-33 | 1 1 |
| 7 | LOCKNUT AN-24 | B10416 | 1 1 |
| 8 | LOCKWASHER W-24 | 00246 | 1 1 |
| 9 | CAP BOLT HEX HEAD | $\frac{1}{2}$ -13 NC x $1\frac{1}{2}$ LONG | 12 12 |
| 10 | LOCKWASHER | $\frac{1}{2}$ SPLIT MED. | 12 12 |
| 11 | PIPE PLUG | $\frac{1}{8}$ -27 NPT | 1 1 |
| 12 | PIPE PLUG | $\frac{1}{4}$ -18 NPT | 2 2 |



REDRAWN ON COMPUTER per KAB by RWB 6-16-03

REVISIONS

| SYMBOL | DESCRIPTION |
|----------|-------------|
| ∇ | CHAMFER |
| ∇ | DRILL |
| ∇ | ENLARGE |
| ∇ | REMOVE |
| ∇ | WELD |
| ∇ | SCALE |
| ∇ | DATE |
| ∇ | CHK |

TOLERANCE: UNLESS OTHERWISE SPECIFIED
 FRACTIONS $\pm 1/32"$ ANGLES $\pm 0^\circ 30'$
 DECIMALS $\pm .005"$ WELD $\pm 1/16"$
 CASTING $\pm 1/16"$

A.I.S.I. STANDARD FINISHES

AN ALCO INDUSTRIES COMPANY
 BEARING PRODUCTS
 ODESSA, TX. USA

| | |
|-------------------------|---------------------|
| MMW 22224 05-05 x 04-09 | ASSEMBLY DRAWING |
| SCALE HALF | ASSEMBLY NO. |
| DRAWN CJ | |
| DATE 9-18-73 | DRAWING NO. C-14664 |
| CHK: | |