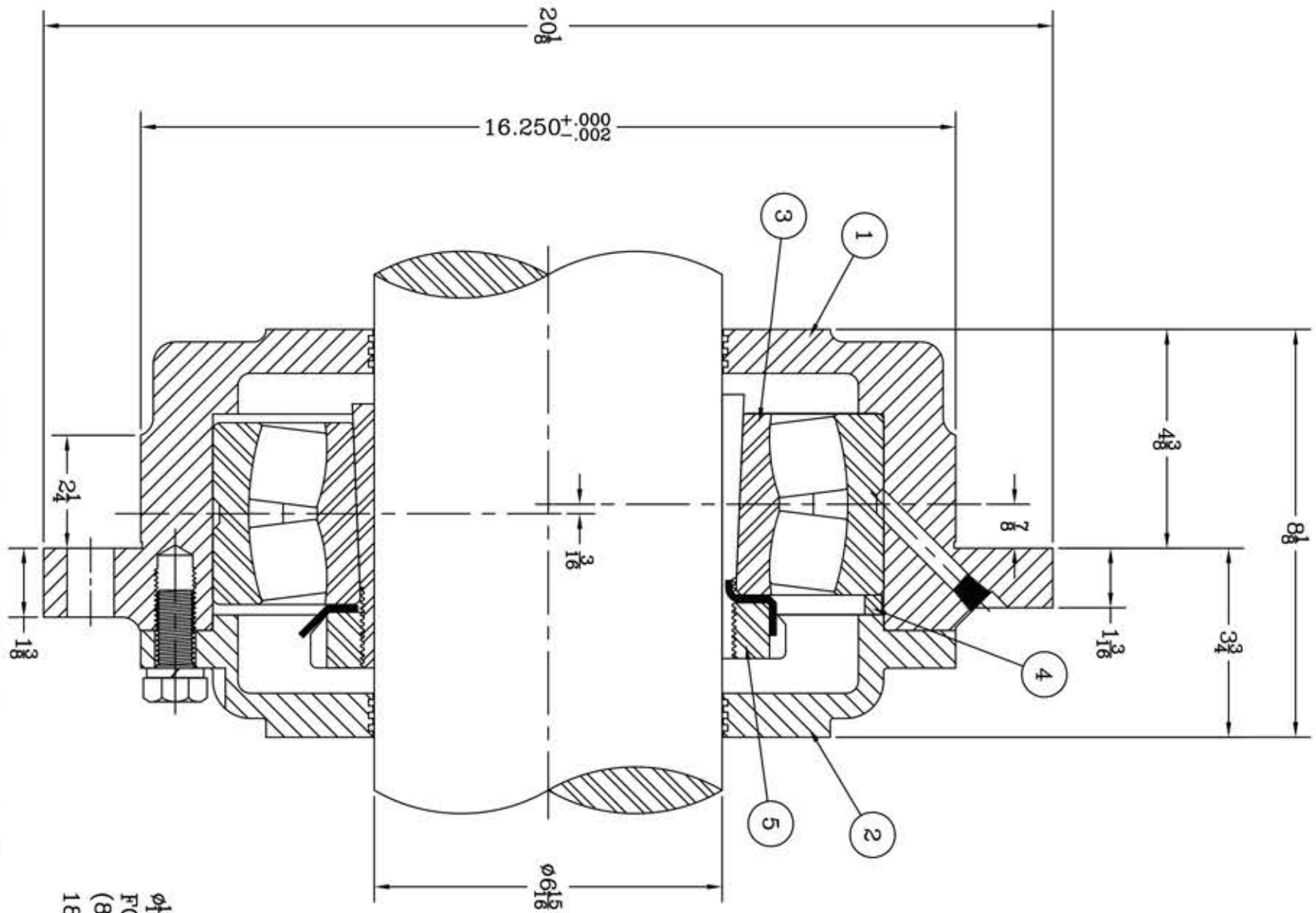
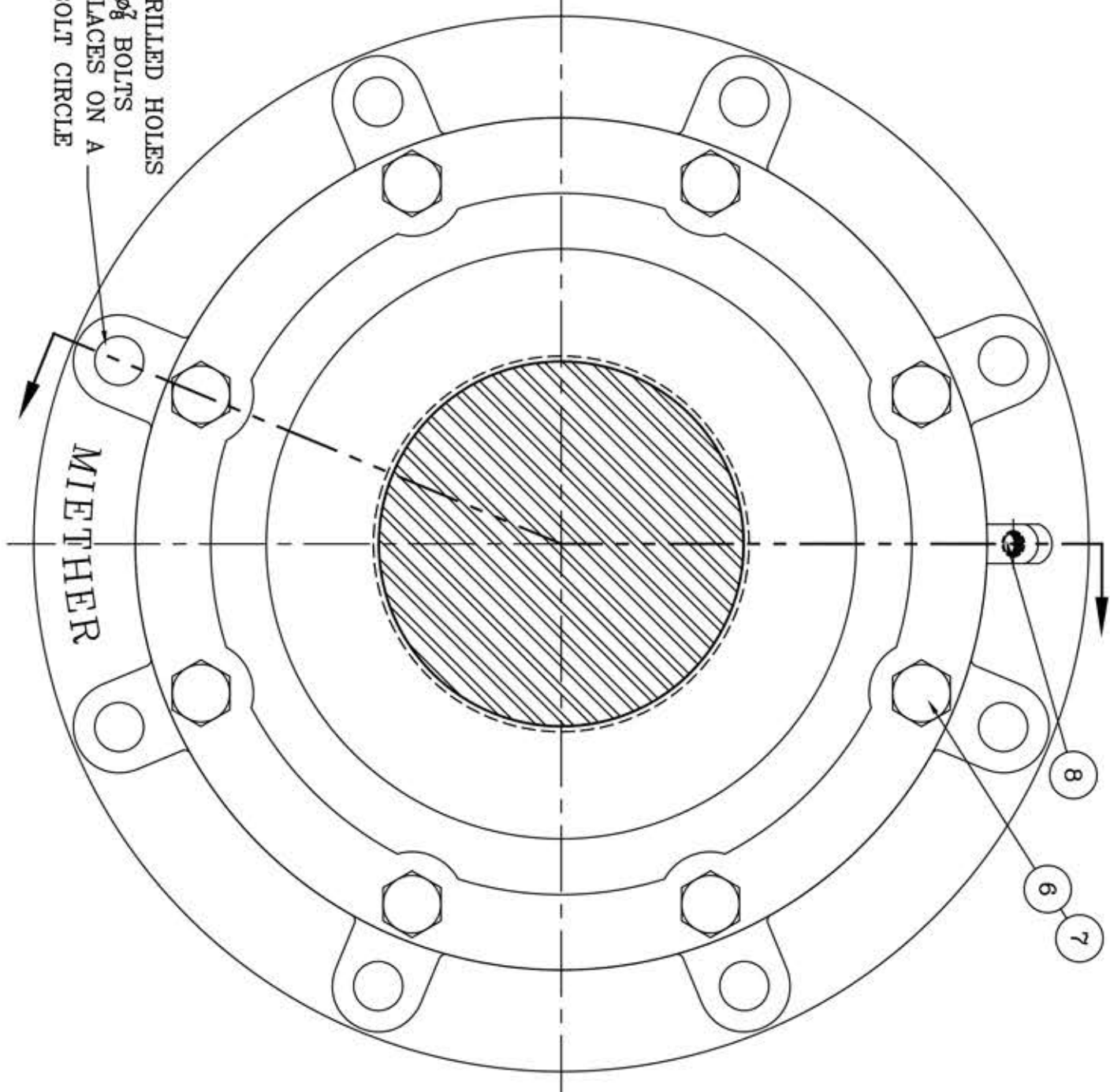


This drawing is the sole property of Miether Bearing Products and contains confidential and proprietary information. It is being provided to you for your use and may not be disclosed to any third party or used for any other purpose without Miether's prior written consent. The [materials] must be returned to the Company upon its demand. Your acceptance of these materials constitutes your acceptance of the foregoing terms.

C-12024



$\phi 1/8$ DRILLED HOLES FOR $\phi 8$ BOLTS (8) PLACES ON A 18 1/4 BOLT CIRCLE



ITEM	DESCRIPTION	DETAIL	QTY.
1	HOUSING HL-538	C-12181	1
2	ENDCAP KL-538	C-12182	1
3	SPHERICAL ROLLER BEARING	22238K/W33	1
4	STABILIZING RING SR-38-32	A-10555	1
5	ADAPTER SNW38 06-15	B-17651	1
6	CAP BOLT HEX. HEAD	3-10 NC x 1 1/4 LONG	8
7	LOCKWASHER	3 SPLIT MED.	8
8	PIPE PLUG	1-18 NPT	1

REDRAWN FOR CONFORMITY AR per KAB 12-31-03
 REDRAWN TO SCALE RWB per JLL 6-25-00

REVISIONS

SYMBOL	DESCRIPTION
∇	DRILLED HOLES FOR BOLTS
∇	PLACES ON A 18 1/4 BOLT CIRCLE

AN ALCO INDUSTRIES COMPANY
 BEARING PRODUCTS
 ODESSA, TX. USA

FCL 22538 06-15	ASSEMBLY DRAWING
SCALE HALF	ASSEMBLY NO.
DRAWN REB	DRAWING NO.
DATE 4/22/68	C-12024
CHK:	