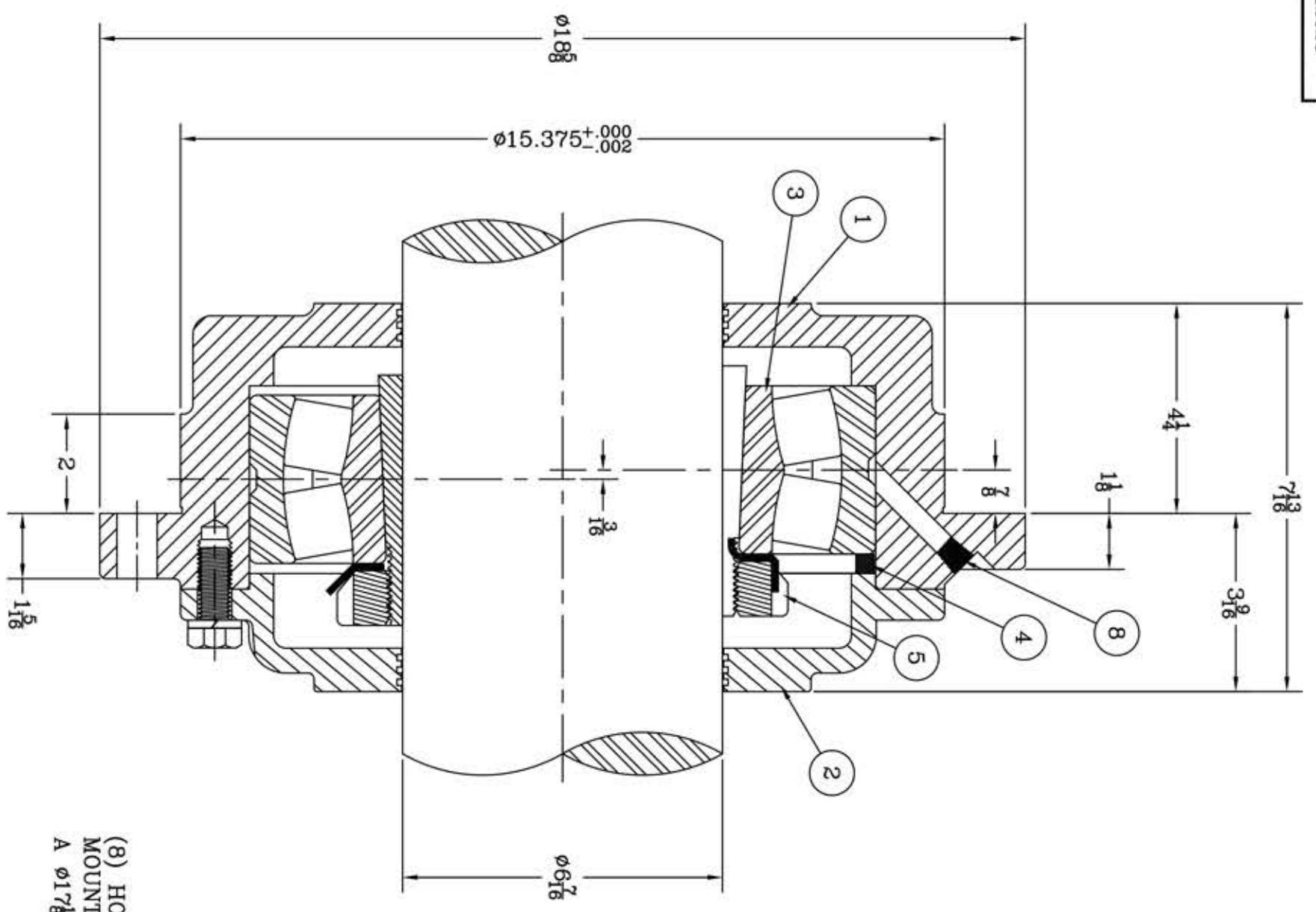
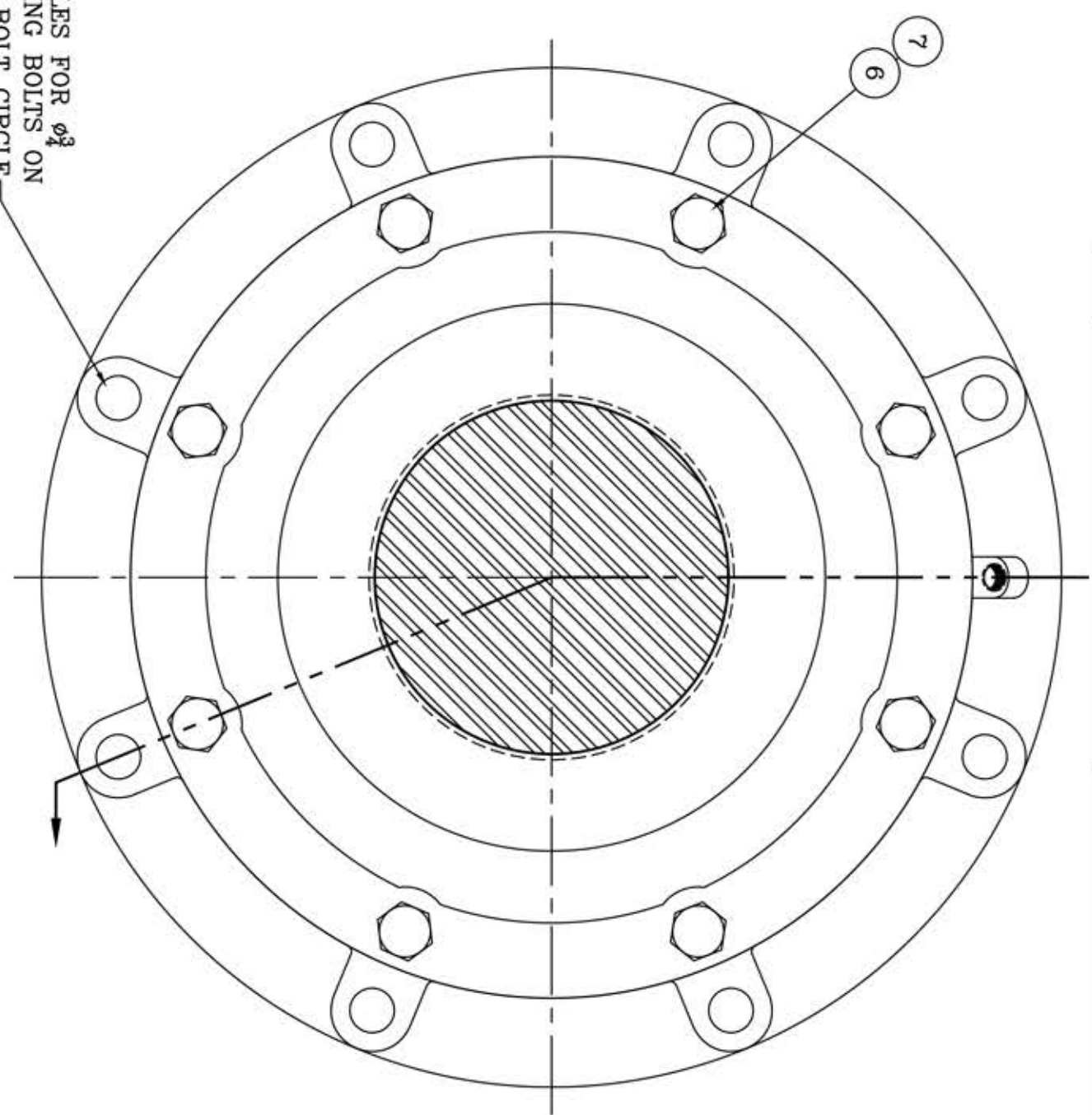


This drawing is the sole property of Miether Bearing Products and contains confidential and proprietary information. It is being provided to you for your use and may not be disclosed to any third party or used for any other purpose without Miether's prior written consent. The [materials] must be returned to the Company upon its demand. Your acceptance of these materials constitutes your acceptance of the foregoing terms.

C-12023



(8) HOLES FOR  $\phi \frac{3}{8}$  MOUNTING BOLTS ON A  $\phi 17\frac{7}{8}$  BOLT CIRCLE



ITEM	DESCRIPTION	DETAIL	REQUIRED
1	HOUSING HL-536	C-12179	1 1
2	ENDCAP KL-536	C-12180	1 1
3	SPHERICAL ROLLER BEARING	22236-K/W-33	1 1
4	STABILIZING RING SR 36-30	A-10610	1 0
5	ADAPTER SNW-36 06-07	B-24452	1 1
6	CAP BOLT HEX. HEAD	$\frac{3}{8}$ -11 NC x $1\frac{1}{8}$ LONG	8 8
7	LOCKWASHER	$\frac{3}{8}$ SPLIT MED.	8 8
8	PIPE PLUG	$\frac{1}{4}$ -18 NPT	1 1

REDRAWN FOR CONFORMITY AR per KAB 12-31-03  
 REDRAWN ON COMPUTER JLL per KAB 6-22-00

REVISIONS

SYMBOL	DESCRIPTION
C	16
D	32
E	63
F	125
G	250
J	500
K	1000

TOLERANCE: UNLESS OTHERWISE SPECIFIED  
 FRACTIONS  $\pm 1/32"$  ANGLES  $\pm 0^\circ 30'$   
 DECIMALS  $\pm .005$  WELD  $\pm 1/16"$   
 CASTING  $\pm 1/16"$

A.I.S.I. STANDARD FINISHES

AN ALCO INDUSTRIES COMPANY  
 BEARING PRODUCTS  
 ODESSA, TX. USA

FCL 22536	06-07
ASSEMBLY DRAWING	
SCALE HALF	ASSEMBLY NO.
DRAWN REB	
DATE 4/22/68	DRAWING NO.
CHK:	C-12023