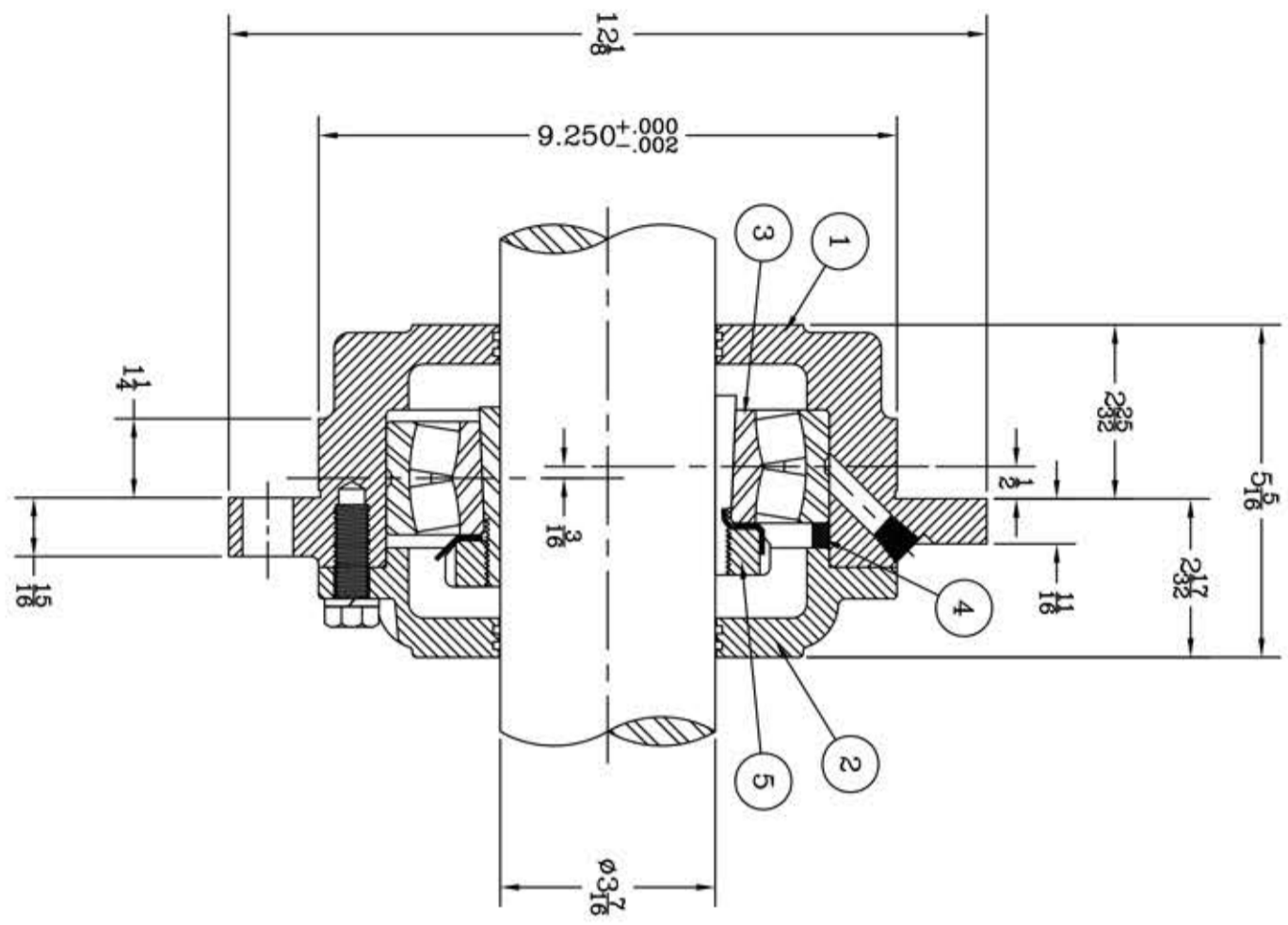
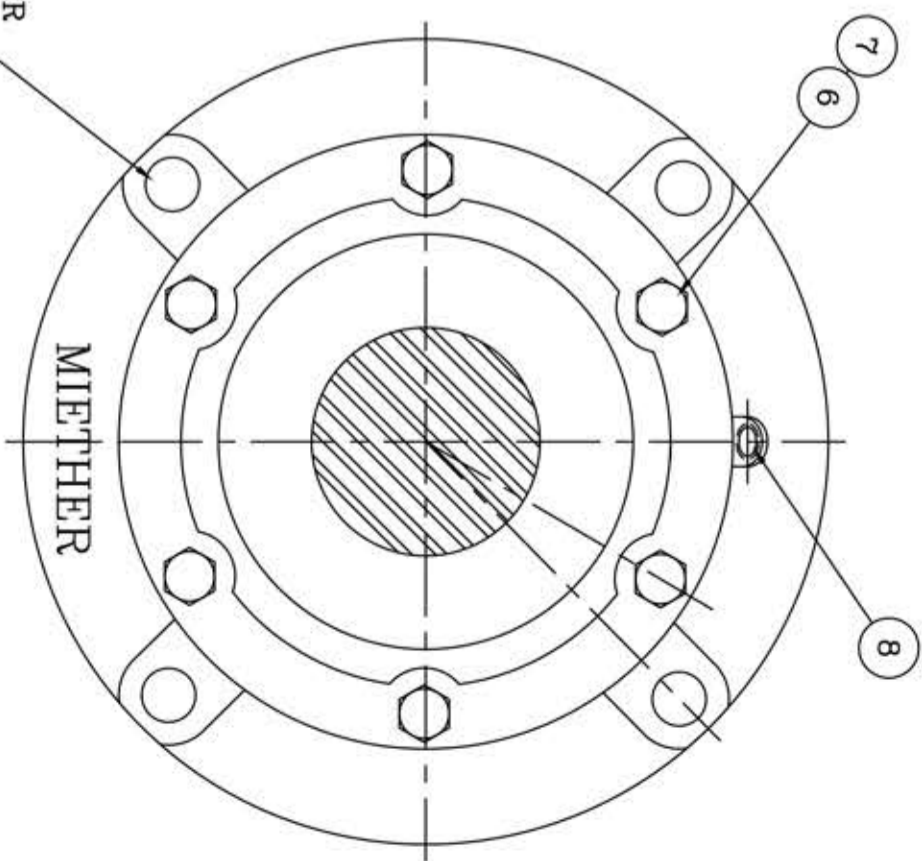


This drawing is the sole property of Miether Bearing Products and contains confidential and proprietary information. It is being provided to you for your use and may not be disclosed to any third party or used for any other purpose without Miether's prior written consent. The [materials] must be returned to the Company upon its demand. Your acceptance of these materials constitutes your acceptance of the foregoing terms.

C-12015



DRILLED 1/8 HOLES FOR
(4) 3/8 BOLTS
ON 10 1/8 B.C.



ITEM	DESCRIPTION	DETAIL	REQUIRED
1	HOUSING HL 520	C-12159	1 1
2	ENDCAP KL 520	C-12160	1 1
3	SPHERICAL ROLLER BEARING	22220K/W-33	1 1
4	STABILIZING RING SR-20-17	A-10602	1 0
5	ADAPTER SNW 20 03-07	B-24416	1 1
6	CAP BOLT HEX HEAD	1/2-13 NC x 1 1/2" LONG	6 6
7	LOCKWASHER	1/2 SPLIT MED.	6 6
8	PIPE PLUG	1/2-18 NPT	1 1

REDRAWN FOR CONFORMITY AR per KAB 12-18-03
REDRAWN TO SCALE OMI per KAB 1-21-02

REVISIONS	SYMBOL	DESCRIPTION
16	C	DRILLED 1/8 HOLES FOR (4) 3/8 BOLTS ON 10 1/8 B.C.
32	D	
63	E	
125	F	
250	G	
500	J	
1000	K	

TOLERANCE: UNLESS OTHERWISE SPECIFIED
FRACTIONS +- 1/32" ANGLES +- 0°-30'
DECIMALS +- .005" WELD +- 1/16"
CASTING +- 1/16"
A.I.S.I. STANDARD FINISHES

AN ALCO INDUSTRIES COMPANY
BEARING PRODUCTS
ODESSA, TX. USA

FCL 22520 03-07
ASSEMBLY DRAWING
SCALE HALF
DRAWN REB
DATE 3/20/68
CHK:

ASSEMBLY NO.
DRAWING NO. C-12015