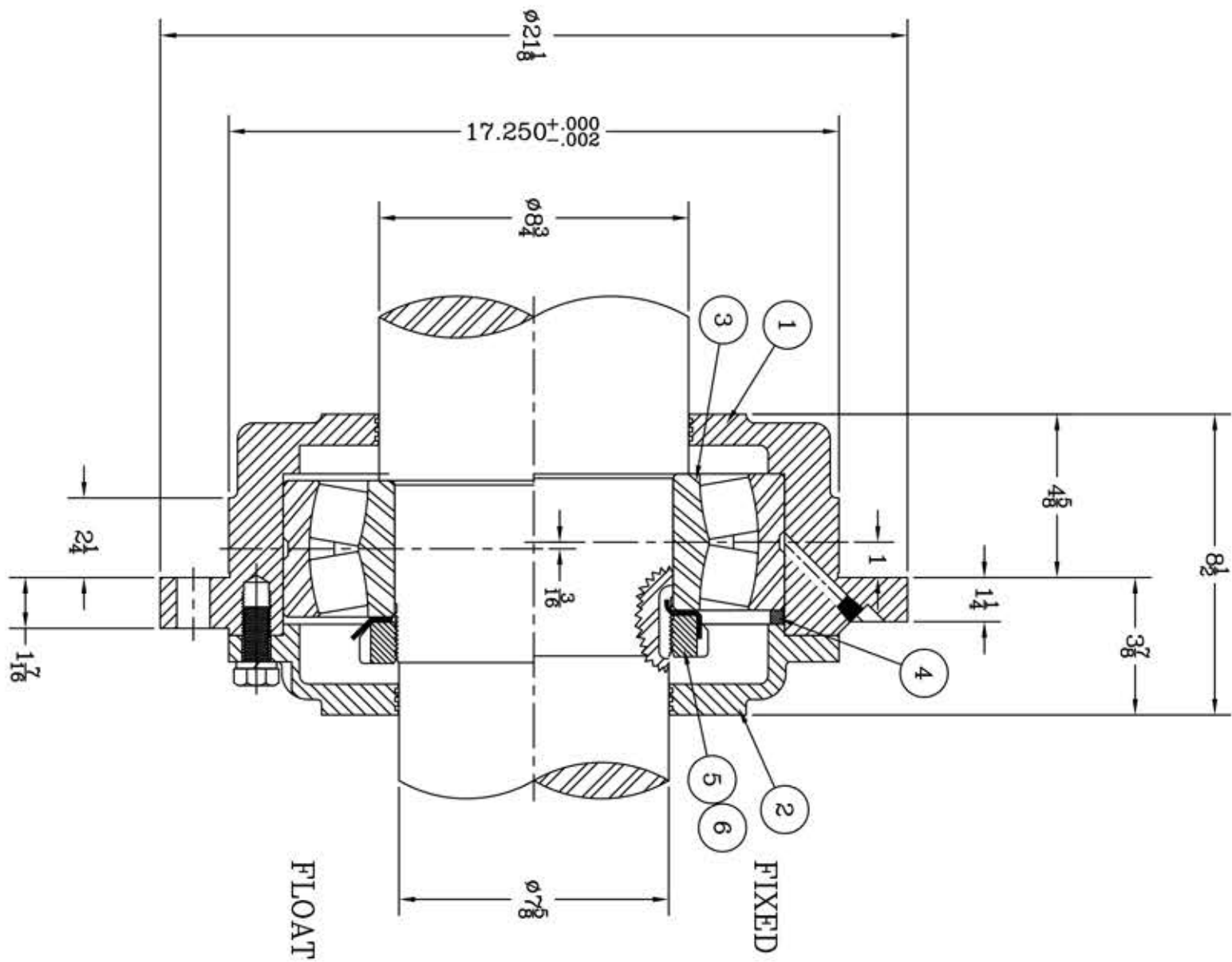
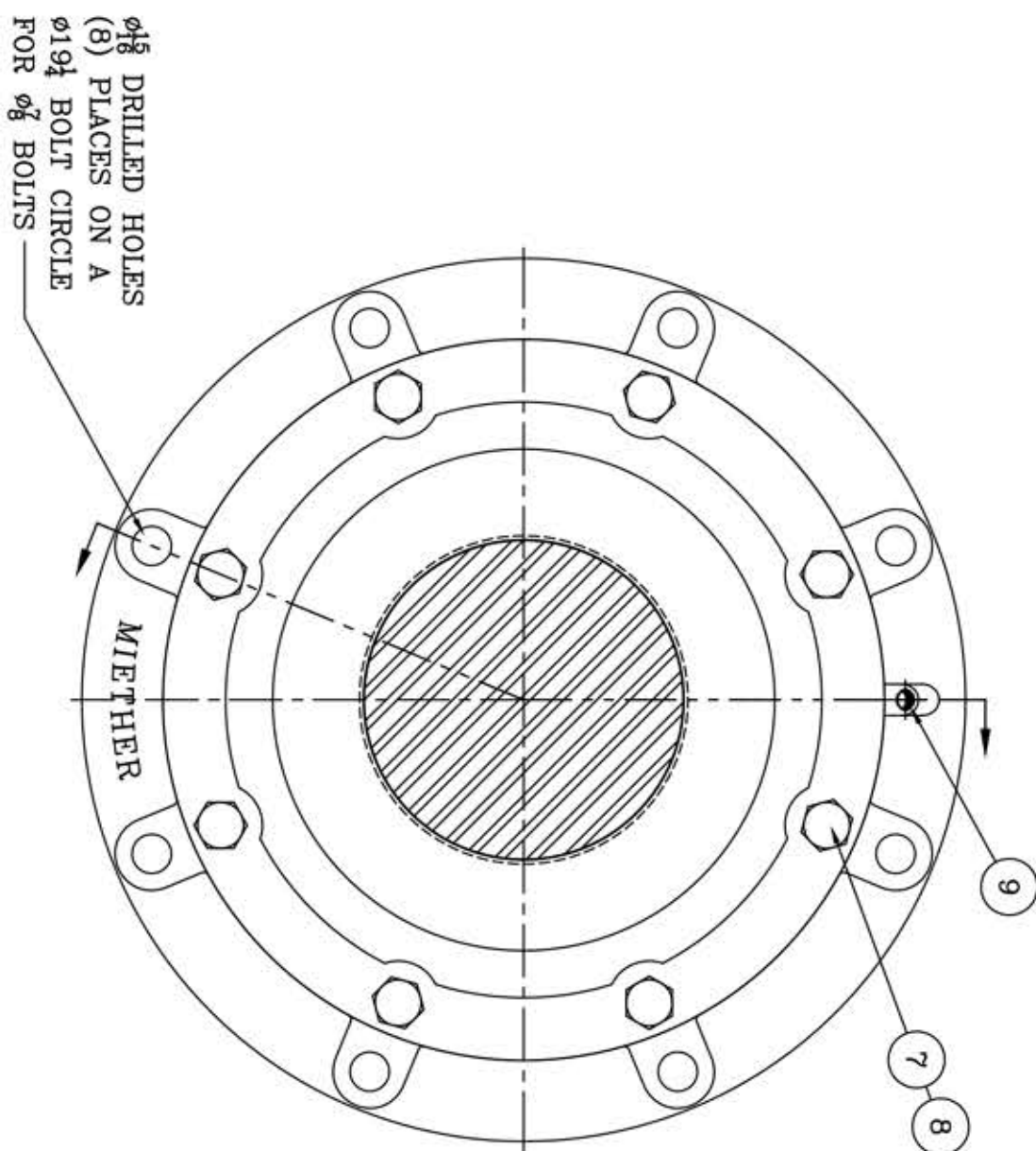


This drawing is the sole property of Miether Bearing Products and contains confidential and proprietary information. It is being provided to you for your use and may not be disclosed to any third party or used for any other purpose without Miether's prior written consent. The [materials] must be returned to the Company upon its demand. Your acceptance of these materials constitutes your acceptance of the foregoing terms.

C-31984



ITEM	DESCRIPTION	DETAIL	REQUIRED
1	HOUSING HL-240	C-21513	1 1
2	ENDCAP KL-240	C-21514	1 1
3	SPHERICAL ROLLER BEARING	22240/W33	1 1
4	STABILIZING RING SR-40-34	A-10611	1 0
5	LOCKNUT AN-40	A-10674	1 1
6	LOCKWASHER W-40	A-10677	1 1
7	CAP BOLT HEX. HEAD	$\frac{3}{4}$ -10 NC x $1 \frac{1}{4}$ LONG	8 8
8	LOCKWASHER	$\frac{3}{4}$ SPLIT MED.	8 8
9	PIPE PLUG	$\frac{1}{4}$ -18 NPT	1 1



REVISIONS

SYMBOL	DESCRIPTION
C	16
D	32
E	63
F	125
G	250
J	500
K	1000

TOLERANCE: UNLESS OTHERWISE SPECIFIED
 FRACTIONS $\pm 1/32"$ ANGLES $\pm 0^\circ 30'$
 DECIMALS $\pm 0.005"$ WELD $\pm 1/16"$
 CASTING $\pm 1/16"$

A.I.S.I. STANDARD FINISHES

AN ALCO INDUSTRIES COMPANY
 BEARING PRODUCTS
 ODESSA, TX. USA

FCL 22240 08-12 x 07-10
 ASSEMBLY DRAWING

SCALE 1 = 3
 DRAWN RWB
 DATE 12/3/04
 CHK:

ASSEMBLY NO.
 DRAWING NO.
 C-31984